



O'DRILL MCM, INC.

ISO
9001:2015
Certified

BUTTERFLY VALVES

Engineered to Perform...Built to last!



In Stock!

Applications:

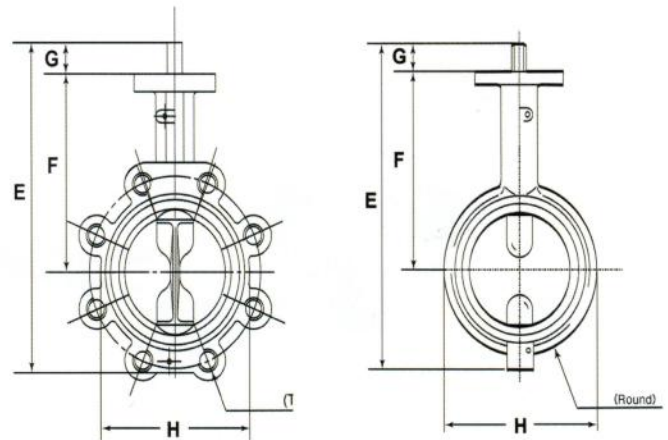
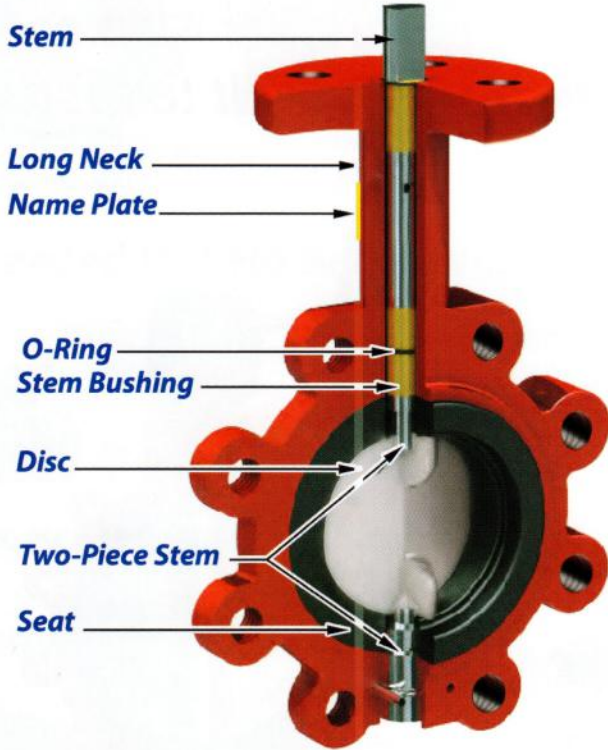
- Process & Refining
- Chemical & Petrochemical
- Agriculture
- Oil & Gas, Drilling & Production
- Water & Waste Water
- Cooling Towers (HVAC)
- Power
- Mining & Materials
- Dry Bulk Handling

**A Butterfly Valve
for Every
Application!**

We Sell for Less !!!

MANUFACTURING • SALES • SERVICE

O'DRILL MCM NE-C Series long neck butterfly valves are designed for process and refining applications. The extended neck allows mounting pad and stem to clear 2" of the pipe insulation on ASME Class 150 pipe flanges. This butterfly valve is pressure rated to 200 PSI and is available in **Lug** and **Wafer**[®] type in 2" to 12" sizes.

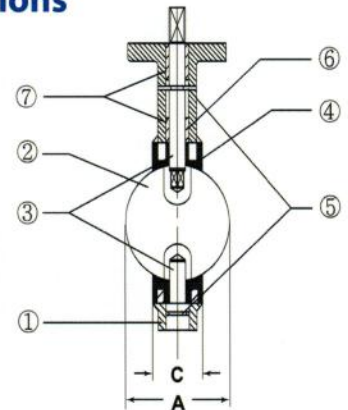


Dimensions

Materials of Construction

No.	Description	Material
1	Body	Ductile Iron ASTM A536, WCB Gr 216A; A351 CF8M; A351 CF8*
2	Disc	Ductile Iron (Ni Plated), Ductile Iron (Nylon Coated), Aluminum Bronze, CF8M (316 SS), CF8 (304 SS)*
3	Stem	416 Stainless Steel, 304 Stainless Steel; 316 Stainless Steel*
4	Seat	BUNA-N, E.D.M., F.K.M.(Viton*), P.T.F.E. (Teflon*), Neoprene*; Hypalon**
5	Retainer Pin	Stainless Steel
6	O-ring	BUNA-N (Viton*) Optional
7	Bushing	P.T.F.E.

*Asterisk denotes factory availability only

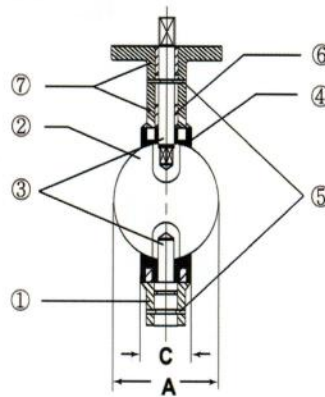
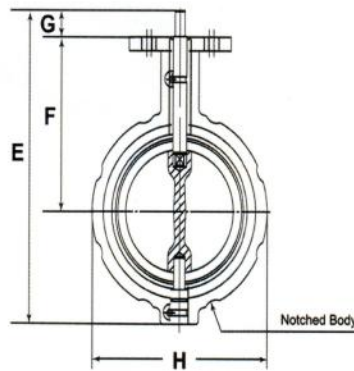
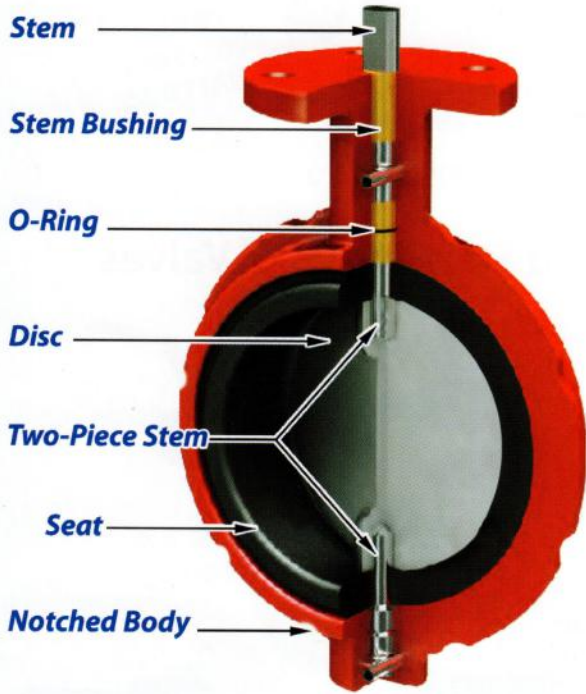


Dimensional Data

Size	A		C		E		F		G		H		Wafer Weight		Lug Weight	
	in	mm	in	mm	in	mm	in	mm	in	mm	in	mm	lbs	Kg	lbs	Kg
2"	2.07	52.60	1.65	42.04	9.64	245	5.59	142.00	1.25	32.00	3.94	100.00	8	4	10	5
2.5"	2.53	64.30	1.75	44.68	10.43	265	6.12	155.45	1.25	32.00	4.72	120.00	10	5	12	5
3"	3.10	78.80	1.77	45.21	10.94	278	6.37	162.00	1.25	32.00	5.00	127.00	11	5	13	6
4"	4.09	104.04	2.05	52.07	12.24	311	7.11	180.80	1.25	32.00	6.49	165.00	13	6	21	10
5"	4.85	123.30	2.14	54.36	13.34	339	7.74	196.80	1.25	32.00	7.28	185.00	18	8	25	11
6"	6.11	155.38	2.19	55.75	14.48	368	8.25	209.55	1.25	32.00	8.34	212.00	20	9	29	13
8"	7.95	202.15	2.38	60.58	17.32	440	9.44	240.00	1.77	45.00	10.55	268.00	35	16	48	22
10"	9.84	250.15	2.63	67.00	20.47	520	11.25	285.75	1.77	45.00	13.42	341.00	47	21	69	31
12"	11.86	301.45	3.02	76.90	23.46	596	12.18	309.60	1.77	45.00	15.74	400.00	77	35	108	49

O'DRILL MCM NE-I & NE-D Series short neck butterfly valves are ideal for space constraint applications such as trucks, trailers, tanks and bulk material handling. The butterfly valves are pressure rated to 200 PSI and is available in sizes 2" thru 12".

Dimensions



SERIES NE-I



Available in
**Wafer
& Lug**

SERIES NE-D



Available
only in
Wafer

Materials of Construction

No.	Description	Material
1	Body	Ductile Iron ASTM A536, WCB Gr 216A* A351 CF8M* A351 CF8*
2	Disc	Ductile Iron (Ni Plated), Ductile Iron (Nylon Coated), Aluminum Bronze, CF8M (316 SS), CF8 (304 SS)*
3	Stem	416 Stainless Steel, 304 Stainless Steel*, 316 Stainless Steel*
4	Seat	BUNA-N, E.P.D.M., F.K.M.(Viton®), P.T.F.E. (Teflon®), Neoprene®, Hypalon®*
5	Retainer Pin	Stainless Steel
6	O-ring	BUNA-N (Viton® Optional)
7	Bushing	P.T.F.E.

*Asterisk denotes factory availability only

Dimensional Data

Size	A		C		E		F		G		H		Wafer Weight	
	in	mm	in	mm	in	mm	in	mm	in	mm	in	mm	lbs	Kg
2"	2.07	52.60	1.65	42.04	7.99	203.00	3.93	100.00	1.25	32.00	4.11	104.60	8	4
2.5"	2.53	64.30	1.75	44.68	8.77	223.00	4.44	113.00	1.25	32.00	4.88	124.00	10	5
3"	3.10	78.80	1.77	45.21	9.40	239.00	4.86	123.45	1.25	32.00	5.37	136.60	11	5
4"	4.09	104.04	2.05	52.07	11.14	283.00	5.98	152.00	1.25	32.00	6.87	174.70	13	6
5"	4.85	123.30	2.14	54.36	11.61	295.00	5.98	152.00	1.25	32.00	7.50	190.70	18	8
6"	6.11	155.38	2.19	55.75	12.75	324.00	6.50	165.10	1.25	32.00	8.74	222.20	20	9
8"	7.95	202.15	2.38	60.58	15.94	405.00	8.06	204.73	1.77	45.00	11.00	279.40	35	16
10"	9.84	250.15	2.58	65.63	19.17	487.00	9.97	253.24	1.77	45.00	13.37	339.80	47	21
12"	11.86	301.45	3.02	76.90	22.16	563.00	10.90	277.10	1.77	45.00	15.23	387.00	77	35

The Choice is yours...



Hammer Unions



FIGURE 100



FIGURE 200



FIGURE 1002



FIGURE 1502

Threaded Oilfield Ball Valves

Threaded Standard Ball Valves



2000 PSI



3000 PSI



5000 PSI



2000 PSI R/P



2000 PSI F/P SS



3000 PSI 3 PC

Grooved End Products



300 PSI Check Valve



Lever Coupling



1000 PSI Ball Valve



Butterfly Valve



Butterfly Valve
(screw end)

★ Corporate Office ★

Our
Products
make
it
Happen!



O'Drill/MCM, Inc.

5055 Cranswick Rd. • Houston, Texas 77041
Office: (713) 541.2020 / Fax: (713) 541.9090 / 1.800.255.6263

Website: www.odrillmcm.com
email: sales@odrillmcm.com

FS CORPORATION