

ISO 9001:2015
Certified



A Pump & Valve Mfg. Company

Established
1982

Catalog
GV 2", 3" & 4"

Engineered for High Performance...

One **Tough** Valve!



OTECO®
TYPE

2"

3"

4"



GATE VALVES



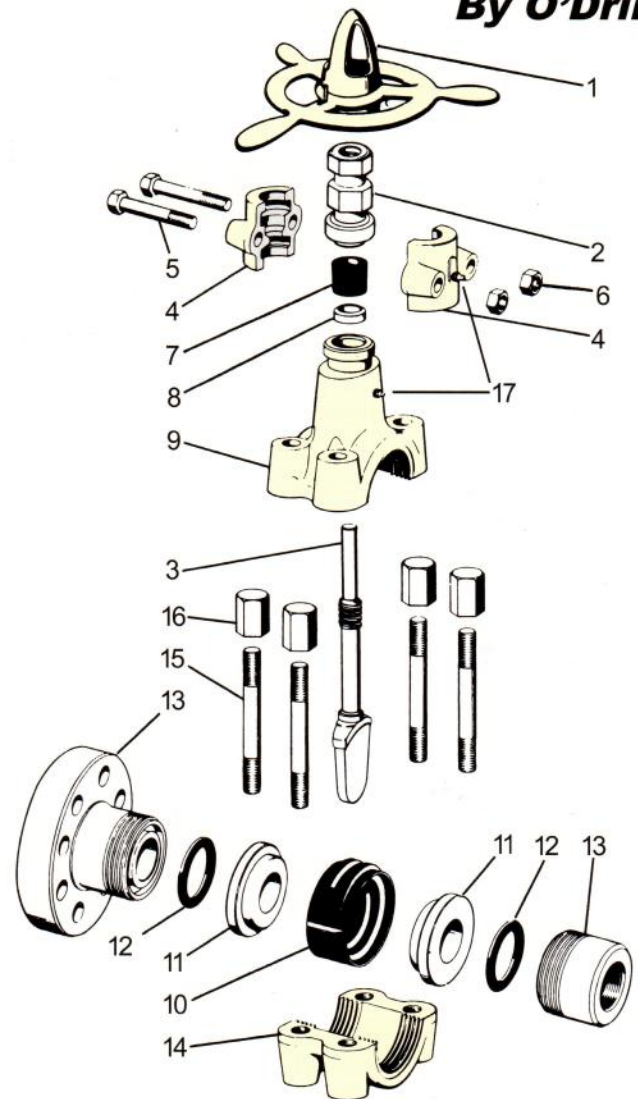
100% INTERCHANGEABLE WITH OTECO® *Model 72* & CAMERON® *'Flex Seal'* GATE VALVES & PARTS

OTECO® Model 72 | CAMERON® Type 'S' FLEX-SEAL GATE VALVES & PARTS (100% Interchangeable)

2", 3" & 4" - 2000, 3000 & 5000 PSI

By O'Drill

*Top Quality.....Lowest Prices
GUARANTEED!!!*



Cameron Part Numbers

| Part Name | Qty. | 2000 psi WP | | | | | |
|---------------------------|------|----------------|----------------|----------------|----------------|----------------|----------------|
| | | 2" Scr | 2" Flg | 3" Scr | 3" Flg | 4" Scr | 4" Flg |
| Valve Assembly | | 35088-02-01-01 | 35088-02-03-01 | 35088-03-01-01 | 35088-03-03-01 | 35088-04-01-01 | 35088-04-03-01 |
| 1 Handwheel | 1 | 35347-01 | 35347-01 | 35347-02 | 35347-02 | 35347-03 | 35347-03 |
| 2 Stem Nut | 1 | 35346-01 | 35346-01 | 35346-02 | 35346-02 | 35346-03 | 35346-03 |
| 3 Gate | 1 | 35342-01 | 35342-01 | 35342-03 | 35342-03 | 35342-05 | 35342-05 |
| 4 Split Bonnet Assy. | 1 | 35341-01 | 35341-01 | 35341-02 | 35341-02 | 35341-03 | 35341-03 |
| 5 Studs (Incl. in item 4) | 2 | 12672-06 | 12672-06 | 12672-07 | 12672-07 | 12672-53 | 12672-53 |
| 6 Nuts (Incl. in item 4) | 4 | 5926-05 | 5926-05 | 5926-05 | 5926-05 | 5926-05 | 5926-05 |
| 7 Stem Packing | 1 | 8311-06 | 8311-06 | 8311-03 | 8311-03 | 8311-01 | 8311-01 |
| 8 Stem Packing Ring | 1 | 6981-07 | 6981-07 | 6981-01 | 6981-01 | 6981-05 | 6981-05 |
| 9 Body | 1 | 9819 | 9819 | 9809 | 9809 | 9827 | 9827 |
| 10 Gate Packing | 1 | 9828 | 9828 | 9832 | 9832 | 9834 | 9834 |
| 11 Wear Plate | 2 | 35345-01 | 35345-01 | 35345-02 | 35345-02 | 35345-03 | 35345-03 |
| 12 O-Ring | 2 | 18491-35 | 18491-35 | 18492-10 | 18492-10 | 18492-27 | 18492-27 |
| 13 Sub | 2 | 18755-01 | 18919-01 | 18755-02 | 18919-02 | 18755-03 | 18919-03 |
| 14 Cap | 1 | 18865 | 18865 | 18868 | 18868 | 18869 | 18869 |
| 15 Studs | 4 | 5912-04 | 5912-04 | 5912-55 | 5912-55 | 5913-58 | 5913-58 |
| 16 Stud Nuts | 4 | 18912-01 | 18912-01 | 18912-01 | 18912-01 | 18912-02 | 18912-02 |
| 17 Grease Fitting | 2 | 5929-01 | 5929-01 | 5929-01 | 5929-01 | 5929-01 | 5929-01 |

| Part Name | Qty. | 3000 psi WP | | | | | |
|---------------------------|------|----------------|----------------|----------------|----------------|----------------|----------------|
| | | 2" Scr | 2" Flg | 3" Scr | 3" Flg | 4" Scr | 4" Flg |
| Valve Assembly | | 35088-02-07-01 | 35088-02-09-01 | 35088-03-08-01 | 35088-03-10-01 | 35088-04-13-01 | 35088-04-15-01 |
| 1 Handwheel | 1 | 35347-02 | 35347-02 | 35347-03 | 35347-03 | 35347-04 | 35347-04 |
| 2 Stem Nut | 1 | 35346-02 | 35346-02 | 35346-03 | 35346-03 | 35346-04 | 35346-04 |
| 3 Gate | 1 | 35342-02 | 35342-02 | 35342-04 | 35342-04 | 35342-06 | 35342-06 |
| 4 Split Bonnet Assy. | 1 | 35341-02 | 35341-02 | 35341-03 | 35341-03 | 35341-04 | 35341-04 |
| 5 Studs (Incl. in item 4) | 2 | 12672-07 | 12672-07 | 12672-53 | 12672-53 | 12672-65 | 12672-65 |
| 6 Nuts (Incl. in item 4) | 4 | 5926-05 | 5926-05 | 5926-05 | 5926-05 | 5926-05 | 5926-05 |
| 7 Stem Packing | 1 | 8311-03 | 8311-03 | 8311-01 | 8311-01 | 8311-04 | 8311-04 |
| 8 Stem Packing Ring | 1 | 6981-01 | 6981-01 | 6981-05 | 6981-05 | 6981-02 | 6981-02 |
| 9 Body | 1 | 8197 | 8197 | 8313 | 8313 | 8214 | 8214 |
| 10 Gate Packing | 1 | 7638-01 | 7638-01 | 8980 | 8980 | 7638-02 | 7638-02 |
| 11 Wear Plate | 2 | 35344-01 | 35344-01 | 35344-02 | 35344-02 | 35344-03 | 35344-03 |
| 12 O-Ring | 2 | 18492-35 | 18492-35 | 18493-02 | 18493-02 | 18492-21 | 18492-21 |
| 13 Sub | 2 | 17783-01 | 17786-01 | 17783-03 | 17786-02 | 17783-02 | 17786-04 |
| 14 Cap | 1 | 18866 | 18866 | 18867 | 18867 | 18870 | 18870 |
| 15 Studs | 4 | 5912-55 | 5912-55 | 5914-18 | 5914-18 | 5915-40 | 5915-40 |
| 16 Stud Nuts | 4 | 18912-01 | 18912-01 | 18912-03 | 18912-03 | 18912-04 | 18912-04 |
| 17 Grease Fitting | 2 | 5929-01 | 5929-01 | 5929-01 | 5929-01 | 5929-01 | 5929-01 |

| Part Name | Qty. | 5000 psi WP | | | | | |
|---------------------------|------|----------------|----------------|----------------|----------------|----------------|----------------|
| | | 2" Scr | 2" Flg | 3" Scr | 3" Flg | 4" Scr | 4" Flg |
| Valve Assembly | | 35088-02-21-01 | 35088-02-23-01 | 35088-03-21-01 | 35088-03-23-01 | 35088-04-27-01 | 35088-04-29-01 |
| 1 Handwheel | 1 | 35347-02 | 35347-02 | 35347-03 | 35347-03 | 35347-04 | 35347-04 |
| 2 Stem Nut | 1 | 35346-02 | 35346-02 | 35346-03 | 35346-03 | 35346-04 | 35346-04 |
| 3 Gate | 1 | 35342-02 | 35342-02 | 35342-04 | 35342-04 | 35342-06 | 35342-06 |
| 4 Split Bonnet Assy. | 1 | 35341-02 | 35341-02 | 35341-03 | 35341-03 | 35341-04 | 35341-04 |
| 5 Studs (Incl. in item 4) | 2 | 12672-07 | 12672-07 | 12672-53 | 12672-53 | 12672-65 | 12672-65 |
| 6 Nuts (Incl. in item 4) | 4 | 5926-05 | 5926-05 | 5926-05 | 5926-05 | 5926-05 | 5926-05 |
| 7 Stem Packing | 1 | 8311-03 | 8311-03 | 8311-01 | 8311-01 | 8311-04 | 8311-04 |
| 8 Stem Packing Ring | 1 | 6981-01 | 6981-01 | 6981-05 | 6981-05 | 6981-02 | 6981-02 |
| 9 Body | 1 | 12985 | 12985 | 12983 | 12983 | 12975 | 12975 |
| 10 Gate Packing | 1 | 7638-01 | 7638-01 | 8980 | 8980 | 7638-02 | 7638-02 |
| 11 Wear Plate | 2 | 35344-01 | 35344-01 | 35344-02 | 35344-02 | 35344-03 | 35344-03 |
| 12 O-Ring | 2 | 18492-35 | 18492-35 | 18493-2 | 18493-2 | 18492-21 | 18492-21 |
| 13 Sub | 2 | 17783-01 | 17786-01 | 17783-03 | 17786-07 | 17783-02 | 17786-03 |
| 14 Cap | 1 | 18914 | 18914 | 18915 | 18915 | 18916 | 18916 |
| 15 Studs | 4 | 5913-26 | 5913-26 | 5915-66 | 5915-66 | 5917-43 | 5917-43 |
| 16 Stud Nuts | 4 | 18913-01 | 18913-01 | 18913-02 | 18913-02 | 18913-03 | 18913-03 |
| 17 Grease Fitting | 2 | 5929-01 | 5929-01 | 5929-01 | 5929-01 | 5929-01 | 5929-01 |

OTECO® Model 72 | CAMERON® Type 'S' FLEX-SEAL GATE VALVES & PARTS (100% Interchangeable)

By O'Drill

O'Drill / MCM manufactures complete gate valves and replacement parts for OTECO Model 72 or 66 and Cameron Type 'S' Flex-Seal Gate Valves in the 2", 3" & 4" sizes (low and high pressures).

- * All parts come with complete material certification and traceability.
- * Please order by Part Numbers.
- * Most orders shipped the same day!
- * **To order:**

Specify a) Size
b) Pressure
c) End connections



VALVE P/N
WEIGHT

Oteco Part Numbers (for quick reference)

| | No Req'd | 2 - Inch | | | 3 - Inch | | | 4 - Inch | | | 5 - Inch | | | |
|----|-----------------------|--------------|--------------|--------------|---------------|---------------|---------------|---------------|---------------|---------------|---------------|--------------|--------------|----------|
| | | 2,000 WP | 3,000 WP | 5,000 WP | 2,000 WP | 3,000 WP | 5,000 WP | 2,000 WP | 3,000 WP | 5,000 WP | 2,000 WP | 3,000 WP | 5,000 WP | |
| | | V-224 | V-236 | V-250 | V-324 | V-336 | V-350 | V-424 | V-436 | V-450 | V-524 | V-536 | V-550 | |
| | | 58.00 | 84.00 | 86.00 | 100.00 | 168.00 | 168.00 | 163.00 | 250.00 | 250.00 | 175.00 | 26.00 | 28.00 | |
| 1 | Handwheel | 1 | HW-2122 | HW-3242 | HW-3242 | HW-3242 | HW-4242 | HW-4242 | HW-4242 | HW-4362 | HW-4362 | HW-4242 | HW-4362 | HW-4362 |
| 2 | Stem Nut | 1 | SN 2242 | SN-3242 | SN-3242 | SN-3242 | SN-4242 | SN-4242 | SN-4242 | SN-4362 | SN-4362 | SN-4242 | SN-4362 | SN-4362 |
| 3 | Gate | 1 | G-224 | G-236 | G-236 | G-324 | G-336 | G-336 | G-424 | G-436 | G-436 | G-424 | G-436 | G-436 |
| 4 | Split Bonnet Assembly | 1 | SB-2122 | SB-3242 | SB-3242 | SB-3242 | SB-4242 | SB-4242 | SB-4242 | SB-4362 | SB-4362 | SB-4242 | SB-4362 | SB-4362 |
| 5 | Bonnet Bolt | 2 | BB-2242 | BB-3242 | BB-3242 | BB-3242 | BB-4242 | BB-4242 | BB-4242 | BB-4362 | BB-4362 | BB-4242 | BB-4362 | BB-4362 |
| 6 | Bonnet Nut | 2 | NB-2345 | NB-2345 | NB-2345 | NB-2345 | NB-2345 | NB-2345 | NB-2345 | NB-2345 | NB-2345 | NB-2345 | NB-2345 | NB-2345 |
| 7 | Stem Packing | 1 | S-224 | S-324 | S-324 | S-324 | S-424 | S-424 | S-424 | S-436 | S-436 | S-424 | S-436 | S-436 |
| 8 | Stem Packing Ring | 1 | SPR-224 | SPR-324 | SPR-324 | SPR-324 | SPR-424 | SPR-424 | SPR-424 | SPR-436 | SPR-436 | SPR-424 | SPR-436 | SPR-436 |
| 9 | Valve Body | 1 | VB-224 | VB-236 | VB-250 | VB-324 | VB-336 | VB-350 | VB-424 | VB-436 | VB-450 | VB-424 | VB-436 | VB-450 |
| 10 | Gate Packing | 1 | 224 | 236 | 236 | 324 | 336 | 336 | 424 | 436 | 436 | 424 | 436 | 436 |
| 11 | Wear Plate | 2 | WP-2242 | WP-2362 | WP-2362 | WP-3242 | WP-3362 | WP-3362 | WP-4242 | WP-4362 | WP-4362 | WP-4242 | WP-4362 | WP-4362 |
| 12 | O' Ring | 2 | OR-224 | OR-236 | OR-236 | OR-324 | OR-336 | OR-336 | OR-424 | OR-436 | OR-436 | OR-424 | OR-436 | OR-436 |
| 13 | Threaded Body Sub | 2 | TBS-2241 | TBS-2361 | TBS-2361 | TBS-3241 | TBS-3361 | TBS-3361 | TBS-4241 | TBS-4361 | TBS-4361 | TBS-5241 | TBS-5361 | TBS-5361 |
| 14 | Body Cap | 1 | BC-224 | BC-236 | BC-250 | BC-324 | BC-336 | BC-350 | BC-424 | BC-436 | BC-450 | BC-424 | BC-436 | BC-450 |
| 15 | Body Stud Bolt | 4 | BS-224 | BS-324 | BS-250 | BS-324 | BS-336 | BS-350 | BS-424 | BS-436 | BS-450 | BS-424 | BS-436 | BS-450 |
| 16 | Body Stud Nut | 4 | BN-224 | BN-224 | BN-250 | BN-224 | BN-336 | BN-350 | BN-424 | BN-436 | BN-450 | BN-424 | BN-436 | BN-450 |

* O.E.M. Parts numbers used in this catalog are for reference only.

*OTECO and *CAMERON are registered trade marks of other companies. O'Drill Inc. is in no way affiliated with these Companies. The part numbers listed above are for identification purpose only.

We Sell for Less..... !!!



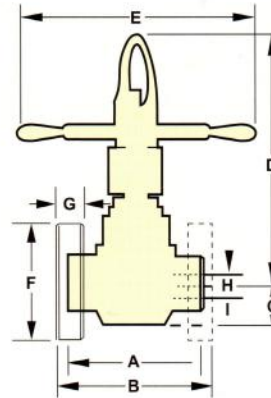
O'DRILL (Oteco® & Cameron® Type) GATE VALVES & PARTS

O'DRILL / MCM Welcomes Comparison !!!



Dimensional Chart

| 2000 psi W.P. | | | | | | |
|------------------|-------------------------|-------------------------|-------------------------|-------------------------|-------------------------|-------------------------|
| T Y P E | 2" Scr. x Scr. | 2" Flg. x Flg. | 3" Scr. x Scr. | 3" Flg. x Flg. | 4" Scr. x Scr. | 4" Flg. x Flg. |
| A | 7 3/8 | | 8 1/2 | | 11 | |
| B | | 11 5/8 | | 14 1/8 | | 17 1/8 |
| C | 2 3/4 | | 2 5/16 | | 4 1/8 | |
| D | 13 | 13 | 17 5/8 | 17 5/8 | 22 1/8 | 22 1/8 |
| E | 14 | 14 | 17 1/4 | 17 1/4 | 20 | 20 |
| F | | 6 1/2 | | 18 1/4 | | 10 3/4 |
| G | | 1 5/16 | | 1 9/16 | | 1 13/16 |
| H | 2 | 2 | 3 | 3 | 4 | 4 |
| Weight | 50 | 85 | 80 | 130 | 140 | 210 |



All Dimensions in Inches

| 3000 psi W.P. | | | | | | |
|------------------|-------------------------|-------------------------|-------------------------|-------------------------|-------------------------|-------------------------|
| T Y P E | 2" Scr. x Scr. | 2" Flg. x Flg. | 3" Scr. x Scr. | 3" Flg. x Flg. | 4" Scr. x Scr. | 4" Flg. x Flg. |
| A | 9 | | 11 | | 13 | |
| B | | 11 5/8 | | 14 1/8 | | 16 3/8 |
| C | 3 5/16 | | 4 1/4 | | 4 5/8 | |
| D | 15 13/16 | 15 13/16 | 20 9/16 | 20 9/16 | 24 1/4 | 24 1/4 |
| E | 17 1/4 | 17 1/4 | 20 | 20 | 21 1/2 | 21 1/2 |
| F | | 8 1/4 | | 9 1/2 | | 11 1/2 |
| G | | 1 13/16 | | 1 13/16 | | 2 1/16 |
| H | 2 | 2 | 3 | 3 | 4 | 4 |
| Weight | 70 | 115 | 130 | 195 | 230 | 300 |

| 5000 psi W.P. | | | | | | |
|------------------|-------------------------|-------------------------|-------------------------|-------------------------|-------------------------|-------------------------|
| T Y P E | 2" Scr. x Scr. | 2" Flg. x Flg. | 3" Scr. x Scr. | 3" Flg. x Flg. | 4" Scr. x Scr. | 4" Flg. x Flg. |
| A | 9 | | 11 | | 13 | |
| B | | 11 5/8 | | 15 5/8 | | 18 |
| C | 3 9/16 | | 4 1/4 | | 4 3/4 | |
| D | 15 13/16 | 15 13/16 | 20 9/16 | 20 9/16 | 24 1/4 | 24 1/4 |
| E | 17 1/4 | 17 1/4 | 20 | 20 | 21 1/2 | 21 1/2 |
| F | | 8 1/2 | | 10 1/2 | | 12 1/4 |
| G | 1 13/16 | | | | 2 7/16 | |
| H | 2 | 2 | 3 | 3 | 4 | 4 |
| Weight | 80 | 120 | 135 | 220 | 210 | 340 |

NOTE: Available in five sizes, three pressure ranges with screwed end, butt weld or flanged connections.

Warranty: O'Drill MCM Valve Mfg., Inc. warrants its Drilling Equipment Products to be free from defects in material and workmanship under normal use and service for a period of one (1) year from date of purchase. The liability for any such defects shall be limited to the repair or replacement of such drilling equipment products, or if agreed upon, refund of the purchase price in exchange for the product.

If You want to economize.....O'Drillize !!!

★ CORPORATE OFFICE ★



O'Drill/MCM, Inc.

5055 Cranswick Rd. • Houston, Texas 77041

Office: (713) 541.2020 / Fax: (713) 541.9090 / 1.800.255.6263

Website: www.odrillmcm.com

email: sales@odrillmcm.com

A FS CORPORATION