

ISO
9001:2015
Certified



PUMPS • VALVES • SOLIDS CONTROL EQUIPMENT



Engineered for High Performance...

Heavy Duty
Gate Valve
7500 PSI



Major Repair Kit



In Stock!

We Sell for Less !!!

2" & 4"

100% Interchangeable with Demco® Valve & Parts

MANUFACTURING • SALES • SERVICE



Bill of Materials

Demco® Style 2" 7500 psi Gate Valve (REDUCED PORT)

Complete 2" 7500 PSI Valve

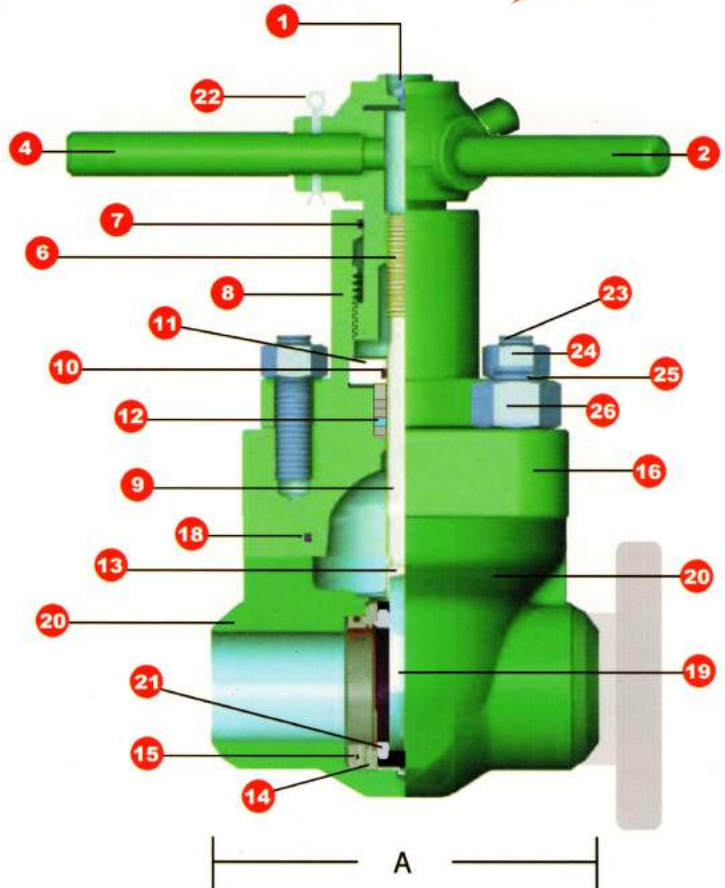
PART NUMBERS

- **Weld End** P/N DGVC 25077-457214 STD. SERVICE
- **Flanged End** P/N DGVC 27077-457214 STD. SERVICE

NOTE: OTHER TRIMS AVAILABLE

PART #	DESCRIPTION	QTY
1	DGV - J005195 Lube fitting	1
2	DGV - 2139712-01 Handle	1
4	DGV - J001891 Lock Handle	1
6	DGV - J001913 Stem Screw	1
7	DGV - J005526-224 Housing Seal	1
8	DGV - J024982 Screw Housing	1
9	DGV - J024983-107 Stem	1
10	DGV - 2712425-13 Secondary Seal	1
11	DGV - J001940 Packing Retainer	1
12	DGV - J023231-008 Stem Seal Assembly (with bronze bushing)	1
13	DGV - M450480 Gate Clip	1
14	DGV - 2269414-01 Body Wear Ring	2
15	DGV - 2712425-18 Wear Ring Seal	2
16	DGV - J024985-030 Bonnet	1
18	DGV - 2712425-60 Bonnet Seal	1
19	DGV - 2269412-01 Gate	1
20	DGV - 2-7500-BW Body Option: Flanged	1
21	DGV - 2269403-01 Seat	1
22	DGV - J005420-18728 Cotter Pin	1
23	DGV - J002066 Housing Stud	2
24	DGV - 2709000-08-01 Housing Stud Nut	2
25	DGV - J015432 Body Stud	4
26	DGV - 2709000-10-01 Body Stud Nut	4

In Stock!



When quality counts.....

Major Repair Kit

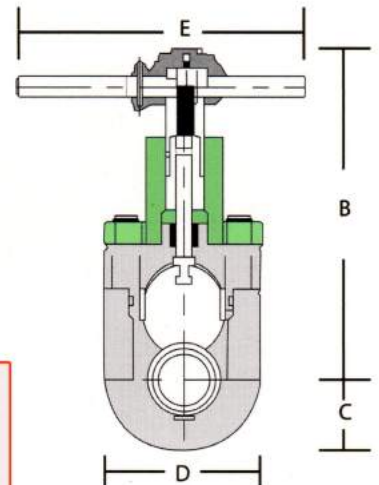


...in Stock!

Top Quality!

Dimensional Outline

2"		
	Weld	Flange
A	9.00	18.38
B	13.04	13.04
C	2.62	3.94
D	6.38	6.38
E	13.85	13.85



Major Repair Kit

Item # 6, 7, 9, 10, 12, 13, 14, 15, 18, 19 & 21

Minor Repair Kit

Item # 13, 14, 15, 18, 19 & 21

Disclaimer:

Demco® is a registered trademark of another company. O'Drill MCM is in no way affiliated with this company. Name is been used for reference purposes only.

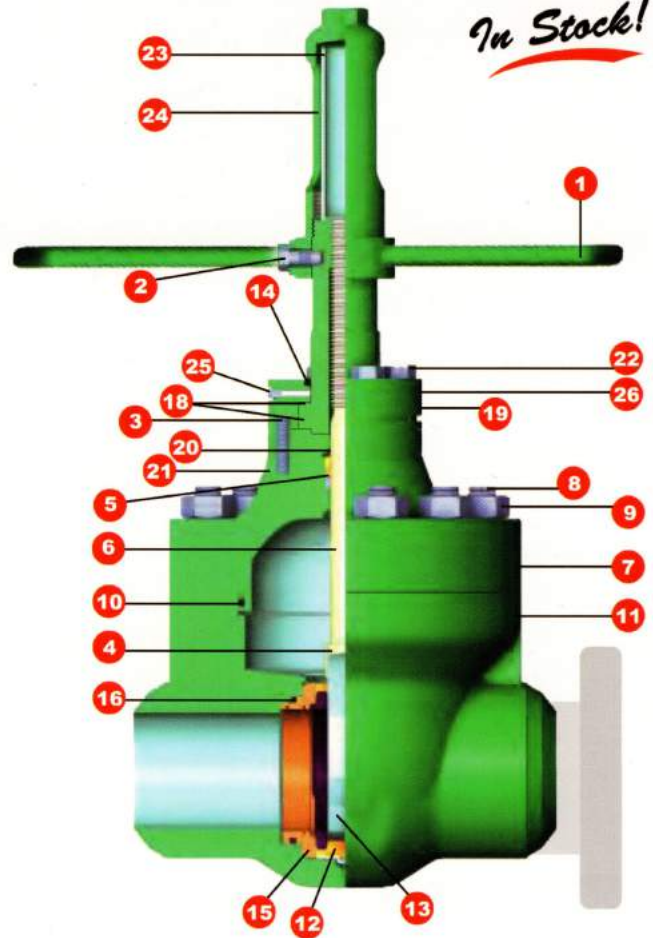
Complete 4" 7500 PSI Valve

PART NUMBERS

- **Weld End** P/N **DGVC 025101-3572140** STD. SERVICE
- **Flanged End** P/N **DGVC 027101-3572140** STD. SERVICE

NOTE: OTHER TRIMS AVAILABLE

PART #	DESCRIPTION	QTY	
1	DGV - J015334	Handwheel	1
2	DGV - J014832	Handwheel Screw	1
3	DGV - J005666-32028	Retainer Screw	4
4	DGV - M450505	Gate Clip	1
5	DGV - J015853-008	Stem Seal Assembly	1
	DGV - J015853-006	(with bronze Bushing)	
6	DGV - 2140684-01	Stem	1
7	DGV - 2172523-02	Bonnet	1
8	DGV - 2171978-11-01	Body Stud	10
9	DGV - J053252-140	Body Stud Nut	10
10	DGV - 2712426-11	Bonnet Seal	1
11	DGV - 4-7500-BW	Body Option: Flanged	1
12	DGV - 2139746-01	Seat	1
13	DGV - 2171267-01	Gate	1
14	DGV - J005526-228	Housing Seal	1
15	DGV - M452290	Body Wear Ring	2
16	DGV - 2712787-04	Wear Ring Seal	2
18	DGV - J0023888	Stem Screw with Bearings	1
19	DGV - J015332	Housing	1
20	DGV - 2726268-01	Secondary Seal	1
21	DGV - 2172425-02	Packing Retainer	1
22	DGV - 702500-14-00-34	Housing Strew	4
23	DGV - J012852	Stem Tube	1
24	DGV - J015855	Stem Cap	1
25	DGV - J005195	Lube Fitting	1
26	DGV - J051971	Relief Fitting	1



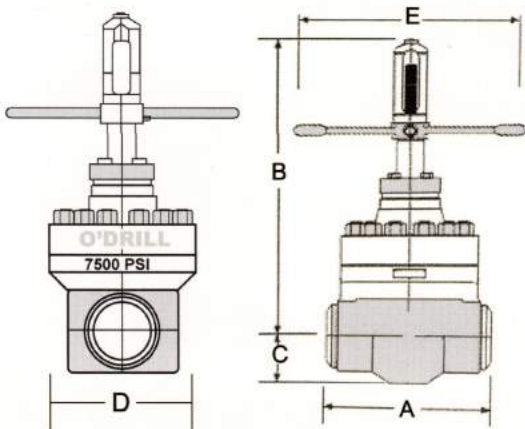
In Stock!

Major Repair Kit

Item # 4, 5, 6, 10, 12, 13, 14, 15, 16, 18 & 20

Minor Repair Kit

Item # 4, 10, 12, 13, 15 & 16





Dimensional Outline

4"		
	Weld	Flange
A	16.00	26.38
B	31.00	27.54
C	4.40	6.22
D	11.75	11.75
E	20.00	20.00
Weight	233 lbs	325 lbs



Look & compare..... We are your best choice!

Call: 713.541.2020

Problem	Probable Cause	Remedy
Hard to operate 	<ul style="list-style-type: none"> • Material Trapped in bonnet cavity or seal area • Broken or gulled bearings • Bent stem, thread damage to stem or stem screw 	<ul style="list-style-type: none"> • Remove bonnet assembly and inspect bonnet cavity and seat area for debris. • Replace the bearings • Inspect the stem and bonnet threads and replace as needed. Always install new stem seal and bonnet seals when replacing any parts in the bonnet assembly
Leaking between bonnet and body.	<ul style="list-style-type: none"> • Bonnet seal is damaged 	<ul style="list-style-type: none"> • Remove bonnet assembly and replace bonnet seal. Do not tilt bonnet while lowering into the body to prevent damage to the bonnet seal.
Leaking through valve bore.  <p>MAJOR REPAIR KIT</p>	<ul style="list-style-type: none"> • Valve is not fully closed • Gate or seat has been damaged 	<ul style="list-style-type: none"> • Make sure the gate is fully closed into the seat. • Remove bonnet assembly to inspect gate for cuts or scratches in the metal. Also inspect the seat for damage on sealing surfaces or on bottom of seat. Replace with new parts and bonnet seal.
Leaking from the stem	<ul style="list-style-type: none"> • Stem seal assembly has damage 	<ul style="list-style-type: none"> • Remove bonnet from valve. Disassemble the bonnet and replace stem seal assembly.

5055 CRANSWICK RD. • HOUSTON, TEXAS 77041

★ O'Drill MCM: 130,000 square foot plant on 13 acres ★



CORPORATE OFFICE & MANUFACTURING FACILITY



TEL: (713) 541-2020 • FAX: (713) 541-9090

