

Established
1982



A Pump & Valve Mfg. Company

ISO 9001:2015
Certified

Engineered For High Performance...

Catalog
DRV 2" & 3"



2"

3"

DEMCO®
TYPE

We Sell for Less.....!!!

Heavy Duty



SHEAR RELIEF VALVES

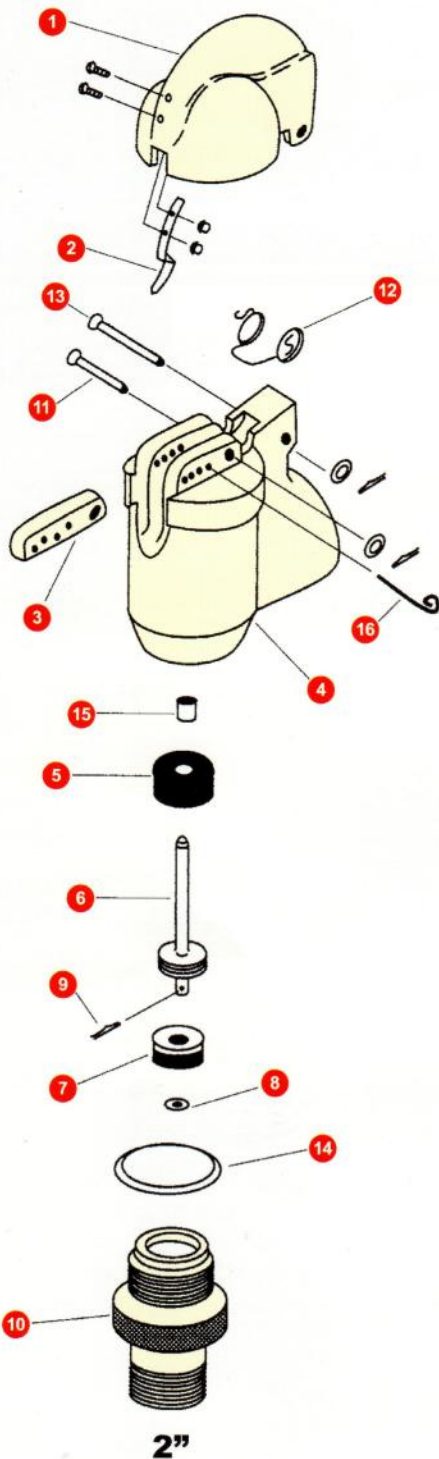


100% Interchangeable with DEMCO®



2" O'DRILL SHEAR RELIEF VALVES

100% Interchangeable with DEMCO®



2"

**Top Quality.....Lowest Prices
GUARANTEED !!!**

Ref. No.	MATERIAL & DESCRIPTION	PRESSURE & SIZE		
		2" 1000	2" 2750	2" 5000
1	COVER ALUM.	2368		
2	LATCH SPRING W/SCREWS & NUTS	1720		
3	SHEAR BAR SST-17-4 PH	17064	17065	
4	BODY	17063-002	17062-002	
5	CUSHION BUNA-N	2372		
6	STEM SST-17-4 PH	1927-003	1238-003	2373-003
7	SEAL BUNA-N	2929	1240	1568
8	WASHER SST-18-8	5884-0131316		
9	COTTER PIN SST	5421-09312		
10	SUB STEEL-C1213	12379-002	2930-002	2374-002
	SUB SST-303	12379-003	2930-003	2374-003
11	PIN, SHEAR BAR STEEL-4140	5418-37517		
12	COVER SPRING SPRING STEEL	2375		
13	PIN, COVER STEEL-4140	5418-37537		
14	GASKET COPPER	2931		
15	BUSHING BRONZE	17027		
16	SHEAR PIN KIT CONTROLLED STEEL WIRE (COLOR)	17458	17459	
		10 (#6)	10 (#10)	
		OLIVE	COPPER	



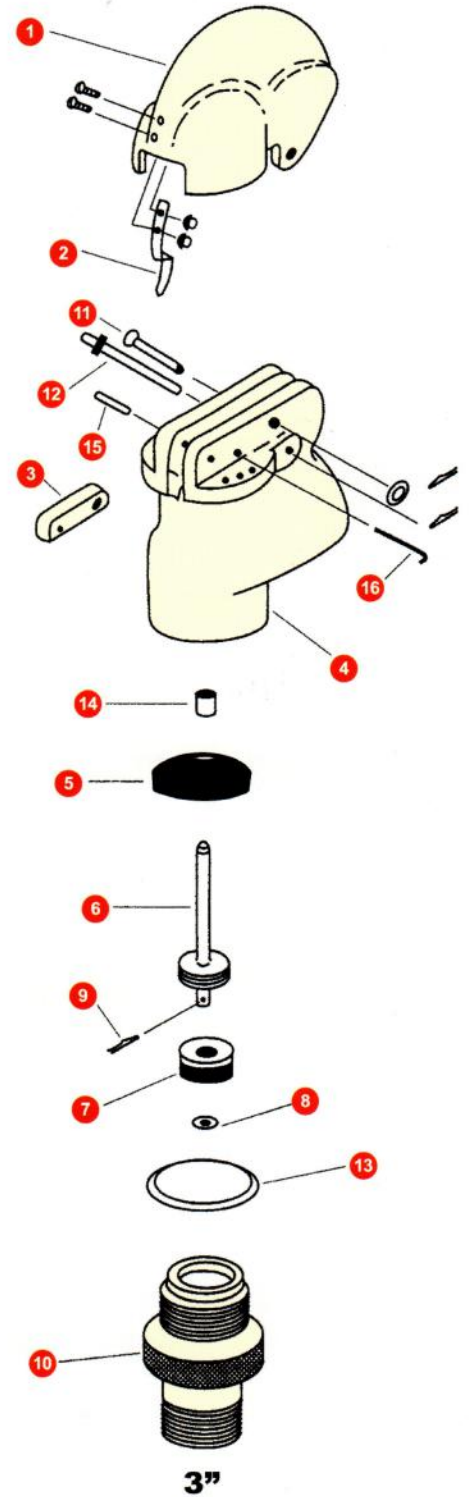
We've got the Quality...We've got the Price!!!

3" O'DRILL SHEAR RELIEF VALVES

100% Interchangeable with DEMCO®



Ref. No.	MATERIAL & DESCRIPTION	PRESSURE & SIZE		
		3" 4000	3" 5000	3" 7500
1	COVER TEN Z. ALLOY	2937		
2	LATCH SPRING W/SCREWS & NUTS	1720		
3	SHEAR BAR 17-4 PH-SST	NEW P/N 17067 OLD P/N 2672		
4	BODY	2084		
5	CUSHION BUNA-N	2939		
6	STEM 17-4 PH-SST	2942	1622	1623
7	SEAL BUNA-N	2945	1242	1243
8	WASHER SST-18-8	5884-0191913		
9	COTTER PIN	5421-09312		
10	SUB C1213 STEEL	2952	2953	NA
	SUB 303 SST	2949	2950	2951
11	PIN, SHEAR BAR STEEL-4140	NEW P/N 5418-37527 OLD P/N 5418-43735		
12	PIN, COVER STEEL-4140	2093		
13	GASKET COPPER	2954		
14	BUSHING BRONZE	17028		
15	SPRING PIN	5448-25025		
16	SHEAR PIN KIT CONTROLLED STEEL WIRE	2955		
	COLOR	INCLUDES 10 OF EA. SIZE		
		2955-30	2955-40	2955-50
		2955-60		



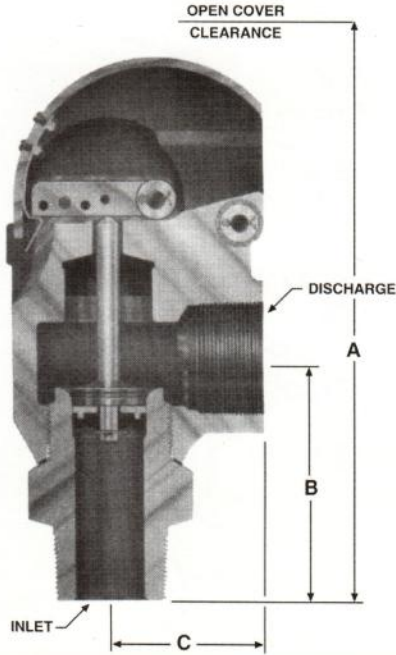
★ TEL: (713) 541-2020 • FAX (713) 541-9090 • 1-800-255-6263 ★



O'DRILL • MCM



Warranty: O'Drill / MCM warrants its Drilling Equipment Products to be free from defects in material and workmanship under normal use and service for a period of one (1) year from date of purchase. The liability for any such defects shall be limited to the repair or replacement of such drilling equipment products, or if agreed upon, refund of the purchase price in exchange for the product.



VALVE PRESSURE SETTINGS

VALVE SIZE	SHEAR PIN NUMBER (ONE ONLY)	SETTINGS (PSI)
2"-1000	#6	400, 600, 800, 1000
2"-2750	#10	1250, 1750, 2250, 2750
2"-5000	#10	2300, 3200, 4100, 5000
3"-4000	#30	2400
	#40	3100
	#50	3600
	#60	4000
3"-5000	#30	2800
	#40	3200
	#50	4100
	#60	5000
3"-7500	#30	5000
	#40	5400
	#60	6120, 6750

ASSEMBLY PART NUMBER

10-1000
20-2000
27-2750
40-4000
50-5000
75-7500

BASE PART NO.

2"-1000: 2656 - XX X 3 X
2"-2750: 1735 -
2"-5000: 1735 -
3"-2000: 2404 -
3"-4000: 2404 -
3"-5000: 2404 -
3"-7500: 3750 -

The C_v values below can be used in the formulas:

SIZE	2" -1000 -2750 -5000	3" -4000 -5000 -7500
DIMENSION		
A	11	15-3/8
B	4-3/4	6-7/8
C	3-3/8	4-5/8
THREADS	2" API LP	3" API LP
WEIGHTS	25 Lbs.	35 Lbs.

VALVE SIZE	C _v
2"-1000	92
2"-2750	52
2"-5000	23
3"-2000	130
3"-4000	66
3"-5000	56

SHEAR PIN NUMBER	PIN DIAMETER (IN) ± .002
#6	.1130
#10	.1483
#30	.2070
#40	.2253
#50	.2437
#60	.2625

$$Q = C_v \sqrt{\frac{\Delta P (8.34)}{D}}$$

$$\Delta P = \left(\frac{Q}{C_v}\right)^2 \times \frac{D}{(8.34)}$$

Q = Gallons per minute of flow through valve.
 ΔP = Pounds per square inch pressure drop across the valve
 D = Density of fluid in pounds per gallon.

If You want to economize.....O' Drillize !!!

★ Corporate Office: ★



• 150,000 square ft of modern manufacturing facility on 10.5 acres

5055 Cranswick Rd. • Houston, Texas 77041

O'Drill/MCM, Inc.



5055 Cranswick Rd. • Houston, Texas 77041

Office: (713) 541.2020 / Fax: (713) 541.9090 / 1.800.255.6263

Website: www.odrillmcm.com

email: sales@odrillmcm.com