

ISO
9001:2015
Certified



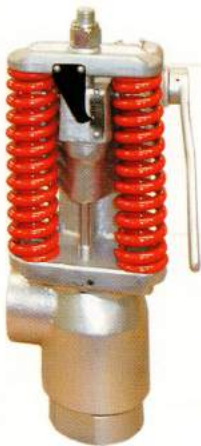
*Established
1982*

Engineered for High Performance...



The Choice is yours !

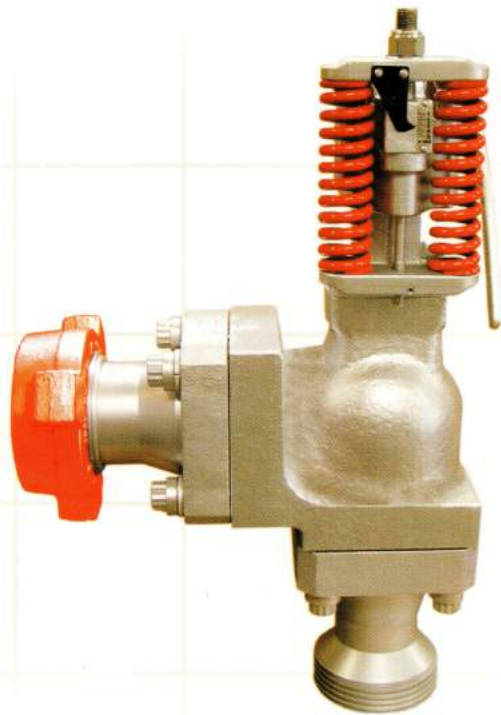
400 - 1500 - 5000 - 6200 PSI
Pressure Rating



2" Type B



3" Type B



3" Type C (Flanged)

◆ 100% Interchangeable with Cameron® and Retsco® Reset Relief Valves & Parts. ◆

Type B & C - 2" & 3" RESET RELIEF VALVES
Threaded and Flanged



2" Type 'B' RESET RELIEF VALVE

O'Drill's Reset Relief Valve is completely interchangeable with Cameron & Retsco type 'B' and 'C', 2" & 3" Reset Relief Valves. The O'Drill type 'B' reset relief valve is used as a safety valve on slush pumps and mud manifolds to protect against damaging pressure surges.

Hydraulic use: 1500 -6200 PSI W.P.
Gas Use: 1500 - 2500 PSI W.P.

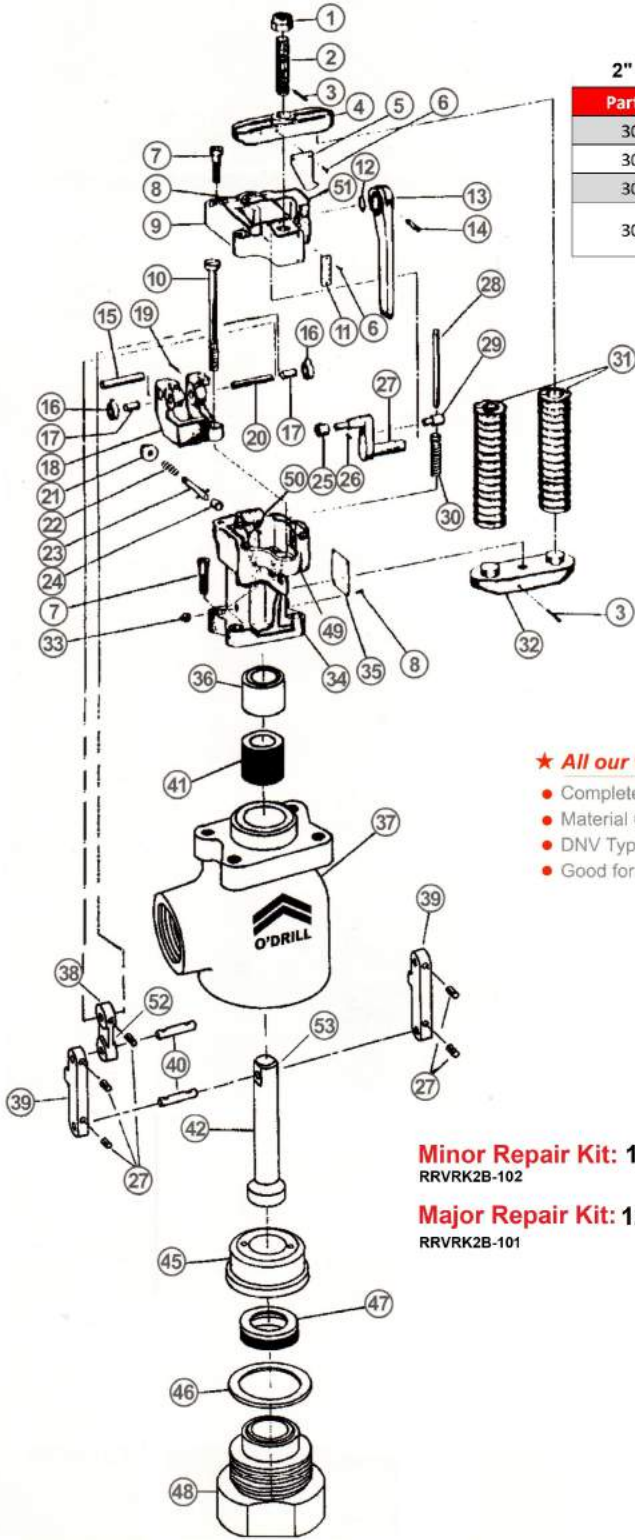
Top Quality...
Lowest Prices...
Guaranteed!!!



2"

2" Type B Complete Valve

Part Number	Pressure Range
30400-03	400-1500 psi
30400-01	750-2500 psi
30400-02	1500-5000 psi
30418-02	Bonnet Assy 1500-5000 psi



★ All our valves come with:

- Complete DATA-BOOKS
- Material Certification & Traceability
- DNV Type approval available
- Good for H2S Service.

Minor Repair Kit: 12, 41, 46, 47
RRVRK2B-102

Major Repair Kit: 12, 41, 42, 45, 46, 47, 48
RRVRK2B-101

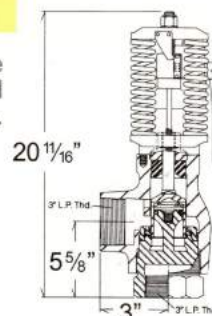
PARTS LIST

#	QTY.	DESCRIPTION	PART NO.
1	1	Nut, Elastic Stop	5953-34
2	1	Stud, Adjusting	20798
3	2	Pin, Spirol 1/4" x 1 1/2"	20712-04
4	1	Retainer, Upper Spring	30385
5	1	Indicator, Pressure	30379
6	12	Screw, Self Tap	2975-03
7	8	Screw, Socket-Head Cap	204044-10-00-14
8	1	Plate, Name	30170
9	1	Cover, Assy	38159
10	1	Screw, Load	30389
11	1	Plate, Calibration	21048
12	1	O-Ring, Handle	6227-15-01-70
13	1	Handle, Reset	20377
14	1	Pin Spirol 5/16" x 1 3/8"	20712-13
15	1	Pin, Crank Pivot	30381
16	2	Spring, Reset	20791
17	2	Bearing, Crank Assy.	13229-13
18	1	Crank Assy.	38161
19	1	Pin Spirol 1/8" x 7/8"	20712-03
20	1	Pin, Top Crank	20802
21	1	Button, Release	30396
22	1	Spring, Release Button	30390
23	1	Shaft Release	30397
24	1	Bushing, Release Button	30368
25	1	Roller, Reset Crank	30388
26	7	Pin Spirol 1/8" x 5/8"	20712-02
27	1	Crank, Reset	30373
28	1	Rod, Spring Guide	30387
29	1	Keeper, Spring	30380
30	1	Spring, Reset Crank	30391
31	2	Spring, Load	20805-0X
32	1	Retainer, Lower Spring	30382
33	1	Fitting, Grease	5929-02
34	1	Sub Assy, Bonnet	38160
35	1	Plate, Instruction	30178
36	1	Bushing, Stem	30369
37	1	Body	20780
38	1	Link, Upper	20787
39	2	Link, Lower	20786
40	2	Pin, Lower	23545
41	1	Ring, Cushion	20795
42	1	Piston	20784
45	1	Retainer, Outer	20790
46	1	Gasket	21792-15
47	1	Outer Seal	20788
48	1	Sub	20793
49	1	Plug, Grease	20750
50	2	Bearing, Bonnet	13229-08
51	1	Bearing, Cover	13229-12
52	1	Bearing, Upper link	13229-14
53	1	Bearing, Piston	13229-10

3" Type 'B' RESET RELIEF VALVE

The 3" Type 'B' O'Drill Reset Relief Valve is built to provide accurate and reliable protection from extreme pressures. The valve is designed primarily for drilling mud use, but it works equally well on any liquid or gas. The O'Drill Reset Relief Valve is fully enclosed for maximum protection of all moving parts and provides the following design features:

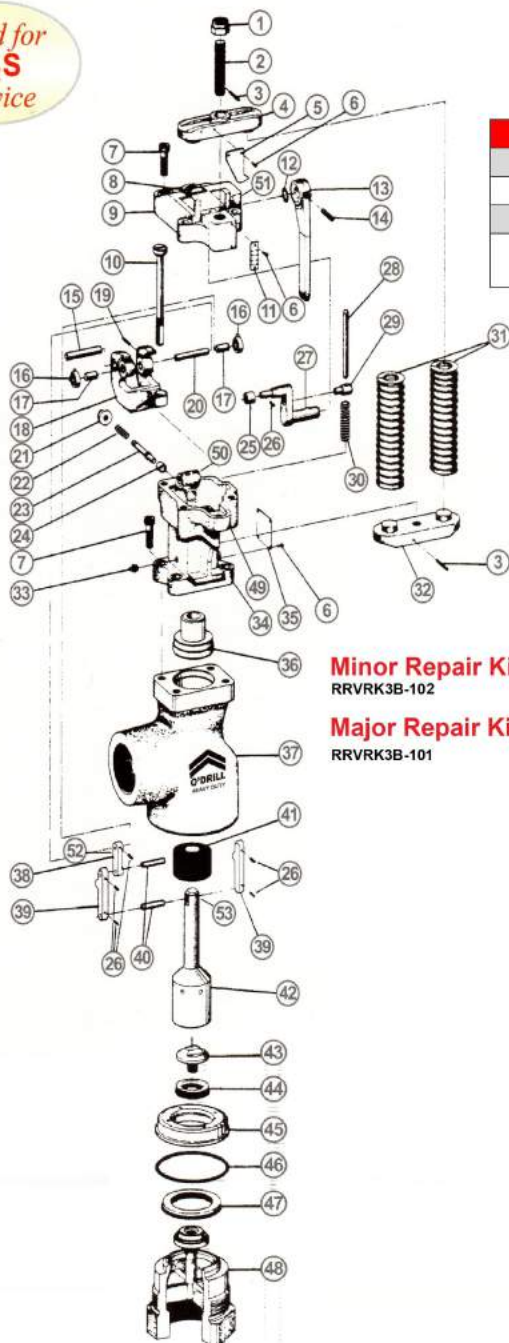
- Valve automatically snaps open to discharge dangerous pressures when maximum pressure setting is exceeded.
- Pressure rating can be changed by merely turning a nut.
- Pressure setting is indicated by pointer.
- Once the valve releases the pressure, it can be reset within seconds by moving the reset handle.
- Valve can be opened at any time by pressing the release button.
- The main parts such as the piston, are manufactured from 17-4 PH corrosive-resistant material and seals are made of Hycar, designed to be out of the direct path of flow, for extra long life.



PARTS LIST

#	QTY.	DESCRIPTION	PART NO.
1	1	Nut, Elastic Stop	5953-34
2	1	Stud, Adjusting	20798
3	2	Pin, Spirol 1/4" x 1 1/2"	20712-04
4	1	Retainer, Upper Spring	30385
5	1	Indicator, Pressure	30379
6	12	Screw, Self Tap	2975-03
7	8	Screw, Socket-Head Cap	204044-10-00-14
8	1	Plate, Name	30170
9	1	Cover, Assy	38159
10	1	Screw, Load	30389
11	1	Plate, Calibration	21048
12	1	O-Ring, Handle	6227-15-01-70
13	1	Handle, Reset	30377
14	1	Pin Spirol 5/16" x 1 3/8"	20712-13
15	1	Pin, Crank Pivot	30381
16	2	Spring, Reset	20791
17	2	Bearing, Crank Assy.	13229-13
18	1	Crank Assy.	38161
19	1	Pin Spirol 1/8" x 7/8"	20712-03
20	1	Pin, Top Crank	20802
21	1	Button, Release	30396
22	1	Spring, Release Button	30390
23	1	Shaft Release	30397
24	1	Bushing, Release Button	30368
25	1	Roller, Reset Crank	30388
26	7	Pin Spirol 1/8" x 5/8"	20712-02
27	1	Crank, Reset	30373
28	1	Rod, Spring Guide	30387
29	1	Keeper, Spring	30380
30	1	Spring, Reset Crank	30391
31	2	Spring, Load	20805-0X
32	1	Retainer, Lower Spring	30382
33	1	Fitting, Grease	5929-02
34	1	Sub Assy. Bonnet	38160
35	1	Plate, Instruction	30178
36	1	Bushing, Stem	30828
37	1	Body	30822
38	1	Link, Upper	20787
39	2	Link, Lower	20786
40	2	Pin, Lower	23545
41	1	Ring, Cushion	30834
42	1	Piston	30829
43	1	Retainer, Inner	30826
44	1	Seal, Inner	30831
45	1	Retainer, Outer	30827
46	1	O-Ring (sub to body)	6230-21-13-85
47	1	Seal, Outer	30833
48	1	Sub	30824
49	1	Plug, Grease	20750
50	2	Bearing, Bonnet	13229-08
51	1	Bearing, Cover	13229-12
52	1	Bearing, Upper link	13229-14
53	1	Bearing, Piston	13229-10

Good for
H₂S
Service



3" Type B Complete Valve

Part Number	Pressure Range
30825-03	400-1500 psi
30825-01	750-2500 psi
30825-02	1500-5000 psi
30820-02	Bonnet Assy 1500-5000 psi

Minor Repair Kit: 12, 41, 44, 46, 47
RRVRK3B-102

Major Repair Kit: 12, 41, 42, 43, 44, 45, 46, 47, 48
RRVRK3B-101

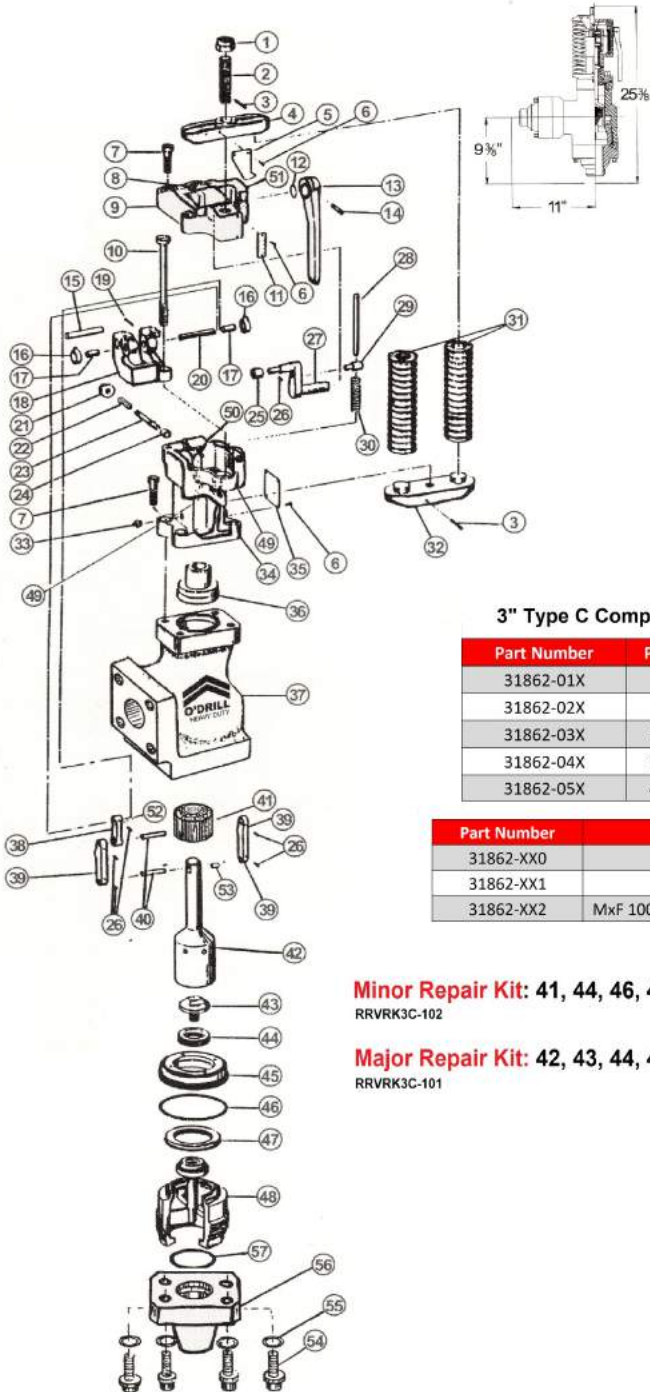
3" Type 'C' Flanged Body RESET RELIEF VALVE

◆ Available with 1002 & 1502 end union connections ◆

O'Drill's (Heavy duty) TYPE 'C' flanged RESET RELIEF VALVE utilizes the same mechanical principle as the Type 'B' Reset Valve. The primary difference is the sub and flanged body. The valve is designed for Hydraulic or Gas use at the following pressure ratings:

Hydraulic use: 1500-6200 PSI W.P / Gas Use: 1500-2500 PSI W.P.

Good for
H₂S
Service



3" Type C Complete Valve

Part Number	Pressure Range
31862-01X	400-1500 psi
31862-02X	750-2500 psi
31862-03X	1500-5000 psi
31862-04X	1500-6200 psi
31862-05X	4000-7500 psi

Part Number	Flanges
31862-XX0	None
31862-XX1	Companion
31862-XX2	Mx F 1002 or 1502 Union End

Minor Repair Kit: 41, 44, 46, 47, 57

RRVRK3C-102

Major Repair Kit: 42, 43, 44, 45, 46, 47, 48, 57

RRVRK3C-101

PARTS LIST

#	QTY.	DESCRIPTION	PART NO.
1	1	Nut, Elastic Stop	5953-34
2	1	Stud, Adjusting	20798
3	2	Pin, Spirol 1/4" x 1 1/2"	20712-04
4	1	Retainer, Upper Spring	30385
5	1	Indicator, Pressure	30379
6	12	Screw, Self Tap	2975-03
7	8	Screw, Socket-Head Cap	204044-10-00-14
8	1	Plate, Name	30170
9	1	Cover, Assy	38159
10	1	Screw, Load	30389
11	1	Plate, Calibration	21048
12	1	O-Ring, Handle	6227-15-01-70
13	1	Handle, Reset	30377
14	1	Pin Spirol 5/16" x 1 3/8"	20712-13
15	1	Pin, Crank Pivot	30381
16	2	Spring, Reset	20791
17	2	Bearing, Crank Assy.	13229-13
18	1	Crank Assy.	38161
19	1	Pin Spirol 1/8" x 7/8"	20712-03
20	1	Pin, Top Crank	31975
21	1	Button, Release	30396
22	1	Spring, Release Button	30390
23	1	Shaft Release	30397
24	1	Bushing, Release Button	30368
25	1	Roller, Reset Crank	30388
26	7	Pin Spirol 1/8" x 5/8"	20712-02
27	1	Crank, Reset	30373
28	1	Rod, Spring Guide	30387
29	1	Keeper, Spring	30380
30	1	Spring, Reset Crank	30391
31	2	Spring, Load	20805-0X
32	1	Retainer, Lower Spring	30382
33	1	Fitting, Grease	5929-02
34	1	Sub Assy. Bonnet	38160
35	1	Plate, Instruction	30178
36	1	Bushing, Stem	30828
37	1	Body	31858
38	1	Link, Upper	31866
39	2	Link, Lower	20786
40	2	Pin, Lower	23545
41	1	Ring, Cushion	31860
42	1	Piston	30829
43	1	Retainer, Inner	30826
44	1	Seal, Inner	30831
45	1	Retainer, Outer	30827
46	1	O-Ring (sub to body)	702640-24-31
47	1	Seal, Outer	30833
48	1	Sub	31861
49	1	Plug, Grease	20750
50	2	Bearing, Bonnet	13229-08
51	1	Bearing, Cover	13229-12
52	1	Bearing, Upper link	13229-14
53	1	Bearing, Piston	13229-10
54	8	Screws (flange)	111676
55	8	Washer, Lock	111680
56	2	Flange, 4 Bolt	31852
57	2	O-Ring, flange	702640-23-71

◆ 100% Interchangeable with Cameron and Retsco R. R. Valves & Parts. ◆

Note: O'Drill can rebuild your damaged Type 'B' & 'C' Reset Valves to a brand new condition for a very nominal cost.

O'Drill/MCM, Inc.

5055 Cranswick Rd. • Houston, Texas 77041

Office: (713) 541.2020 / Fax: (713) 541.9090

Website: www.odrillmcm.com

email: sales@odrillmcm.com